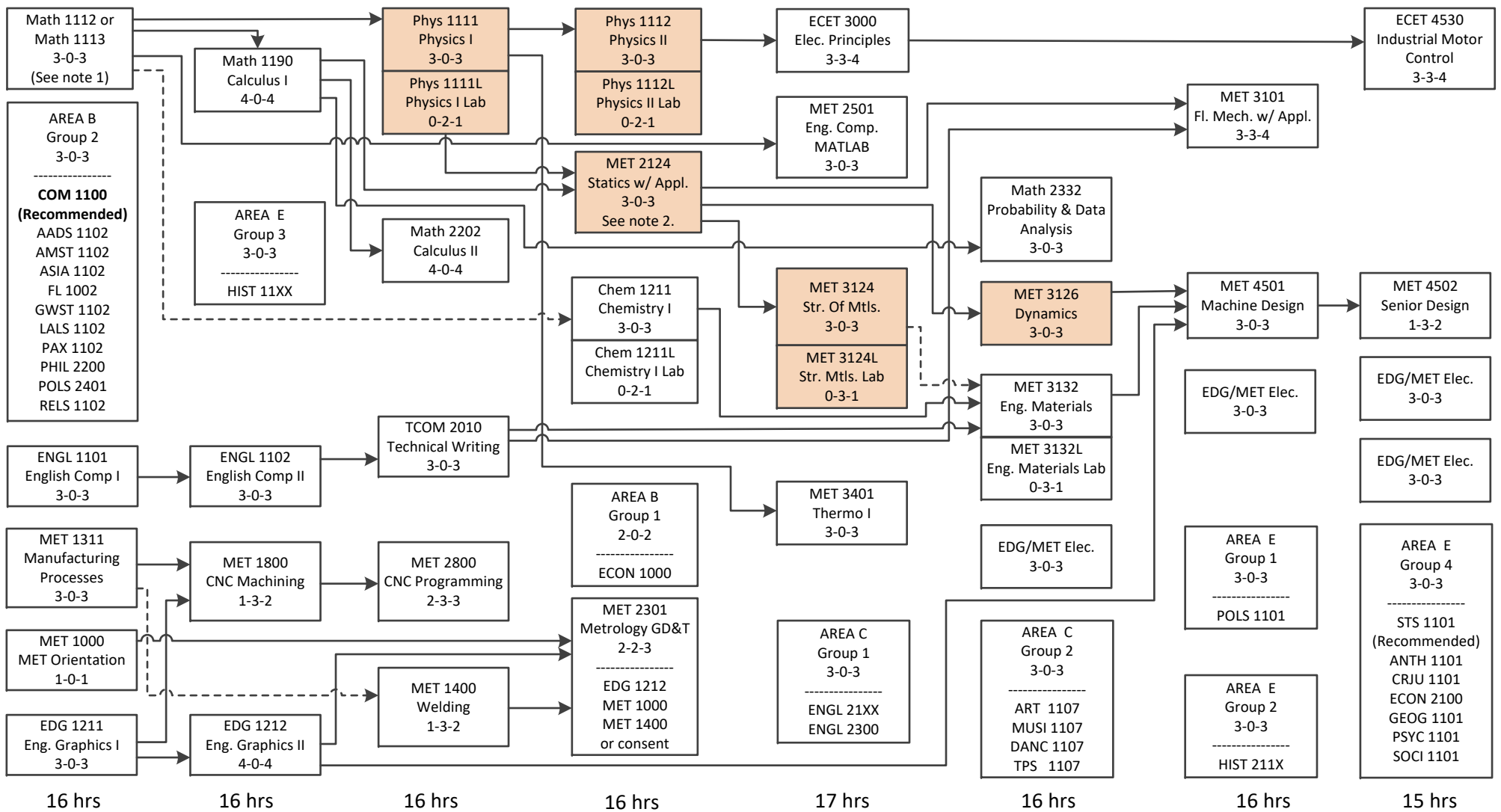


# 2018-2019 MET Flow Chart

## Trigonometry Based Physics Path



2018-2019 MET Flow Chart Trigonometry Based Physics Path

**Notes:**

1. Please see your advisor.
2. **PHYS 1111, 1111L and PHYS 1112, 1112L may be substituted for PHYS 2211, 2211L and PHYS 2212, 2212L. Students who have taken or have been given credit for PHYS 1111 must register for ENGT 2124, ENGT 3124, and MET 3126 instead of ENGR 2214, ENGR 3131, and 3122. For students who have taken or been given credit for PHYS 2211, the recommended courses are ENGR 2214 and ENGR 3131.**
3. Students must take one of the following as one of the MET electives - MET 3123- Dynamics of Machines; MET 3331-Tool Design; MET 3402- Thermodynamics II; MET 4112 (ME 4250) Comp Aided Engineering & Analysis.
4. Please see course descriptions for MET/EDG elective prerequisites.
5. MET majors are required to earn a grade of "C" or better in all courses listed under the major (courses designated as MET, EDG, ENGT, ECET, & ENGR), including those listed as Lower Division Major Requirements (Area "F").

- > Co-requisite
- > Prerequisite
- X-X-X Lecture – Lab – Credit Hours